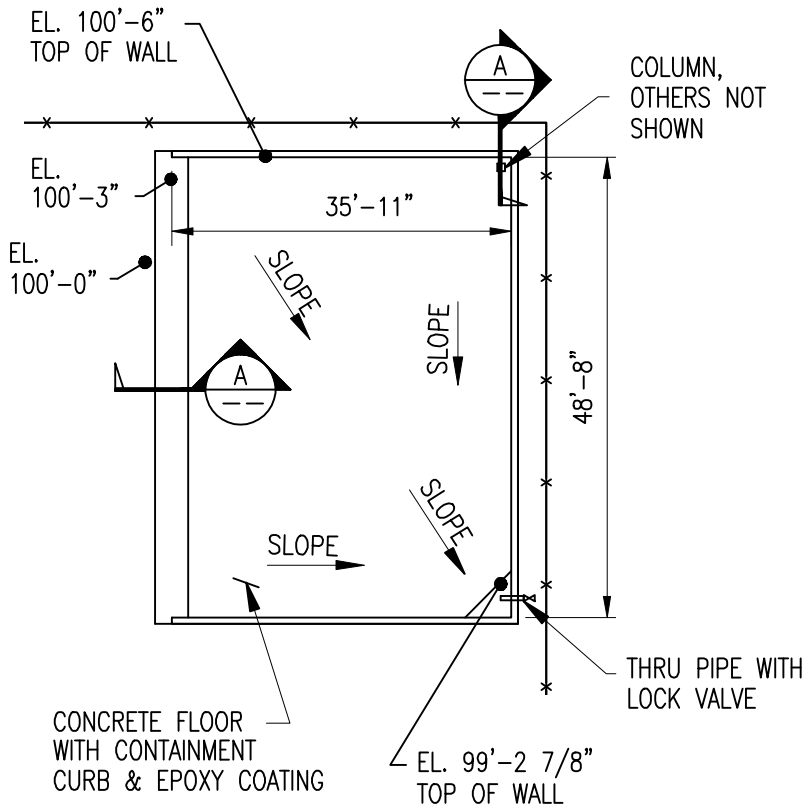
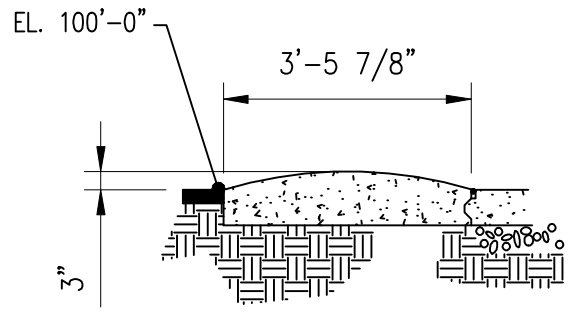


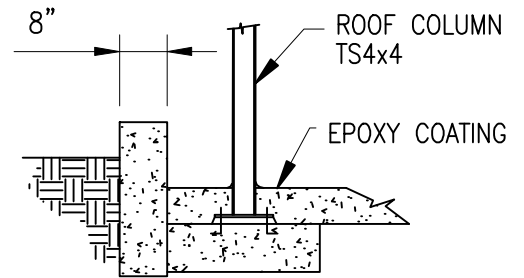
ATTACHMENT 6
FACILITY DRAWINGS



E-501 PLAN VIEW
 SCALE: 1" = 20'-0"±

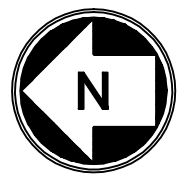


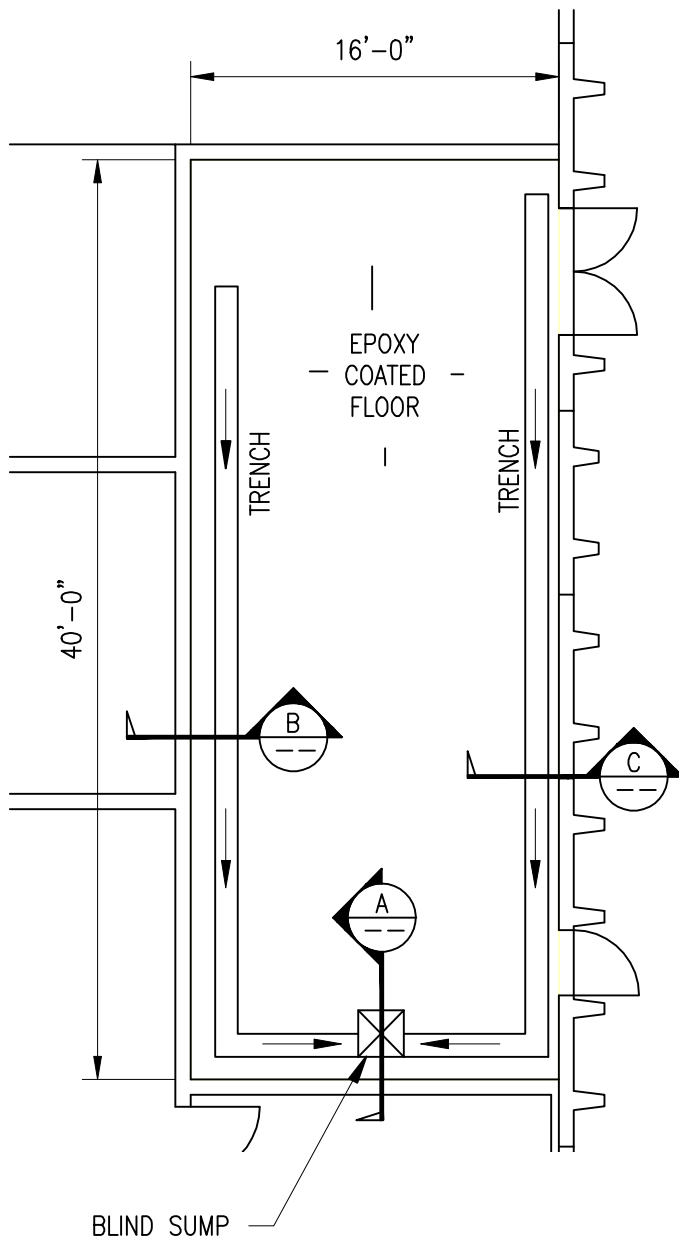
SECTION A
 SCALE: 3/8" = 1'-0"



SECTION B
 SCALE: 3/8" = 1'-0"

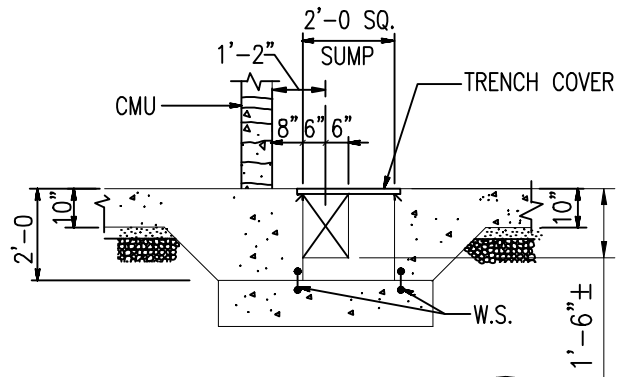
E-501 PAD LAYOUT
FIGURE B-1





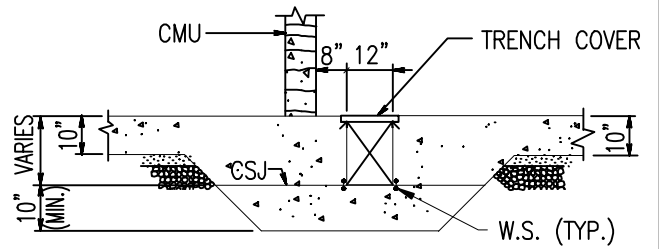
M-705S PLAN VIEW

SCALE: 1/8" = 1'-0"



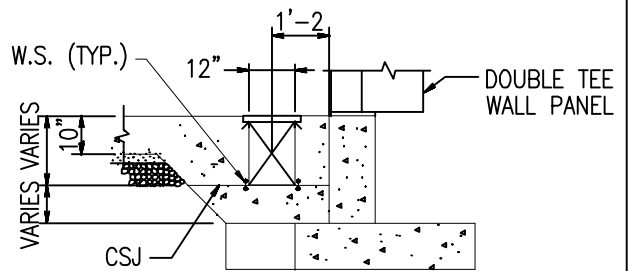
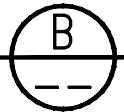
SECTION

SCALE: 1/4" = 1'-0"



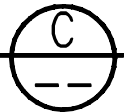
SECTION

SCALE: 1/4" = 1'-0"



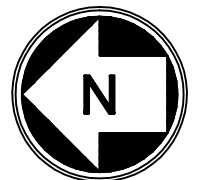
SECTION

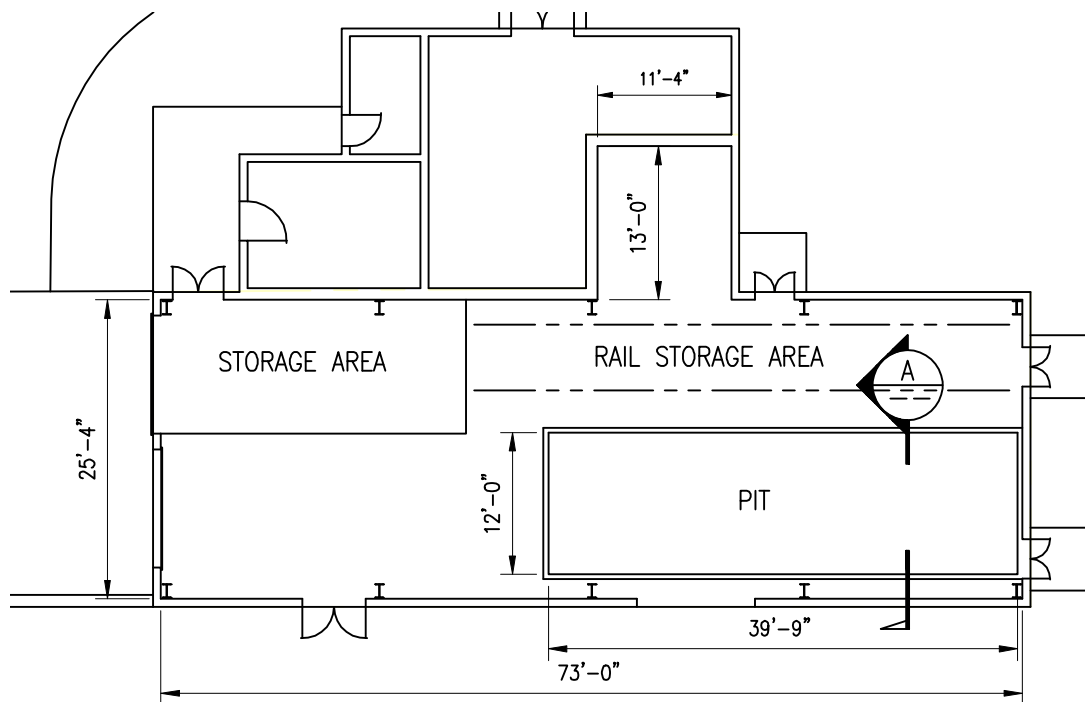
SCALE: 1/4" = 1'-0"



M-705S BUILDING LAYOUT

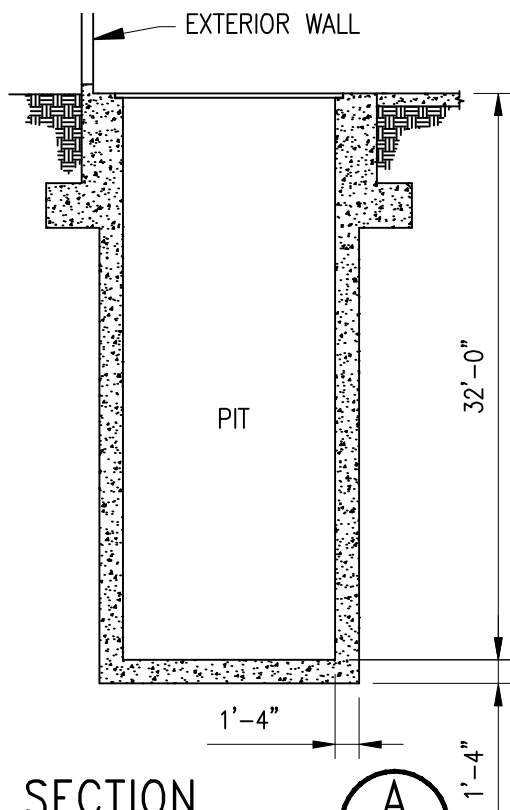
FIGURE C-1





M-603 PLAN VIEW

SCALE: 1/16" = 1'-0"±



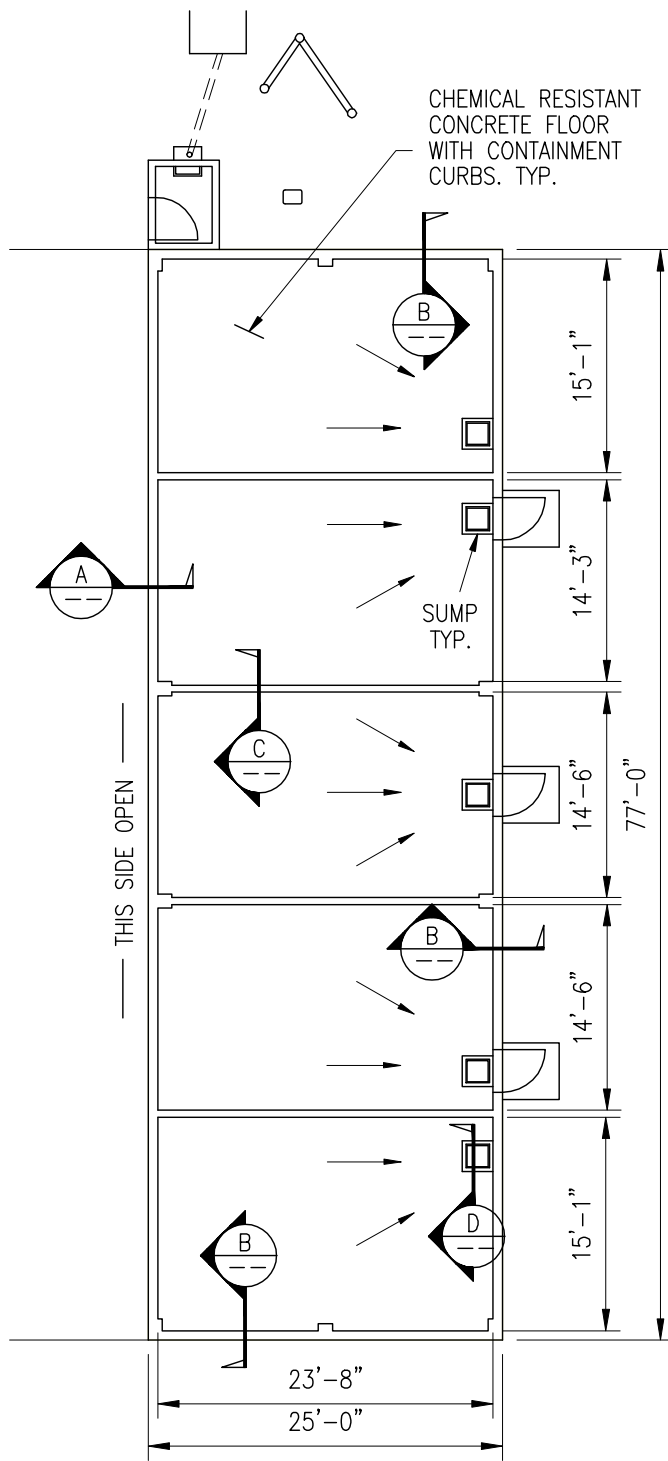
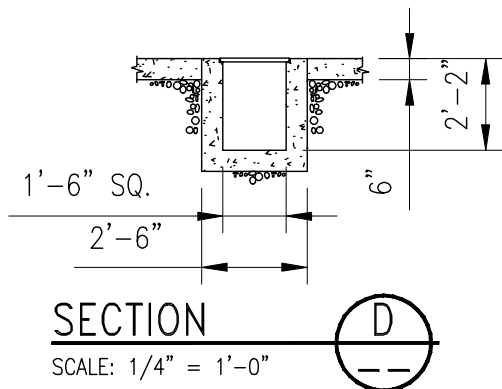
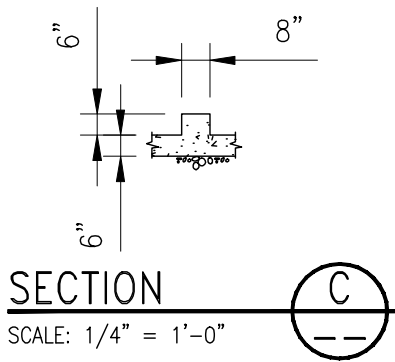
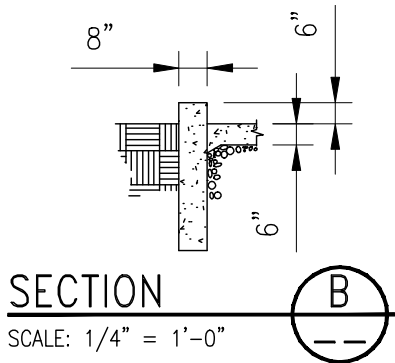
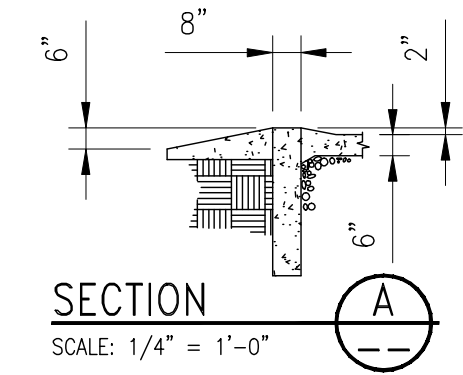
SECTION

SCALE: 3/32" = 1'-0"±

M-603 BUILDING LAYOUT

FIGURE D-1

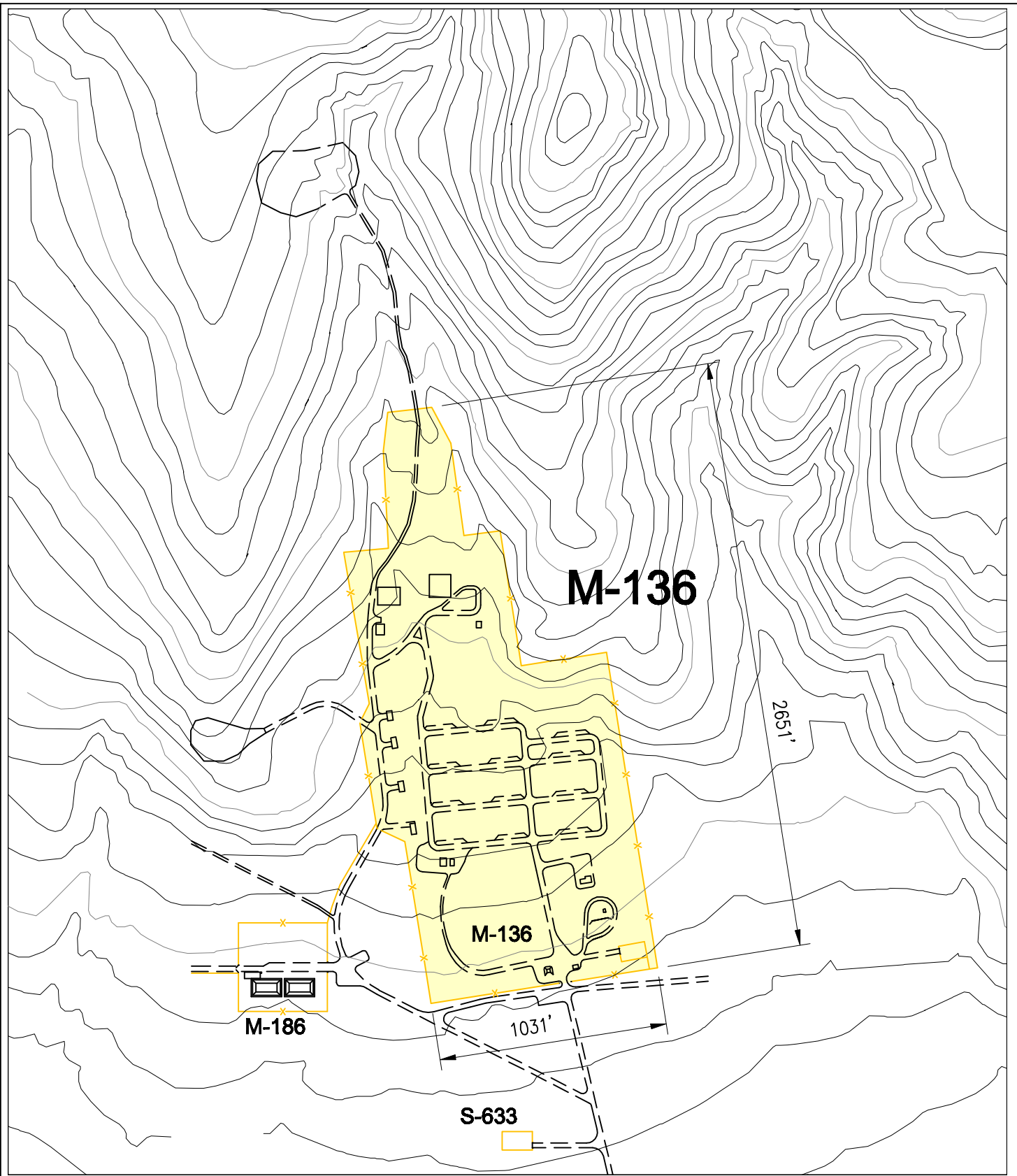




M-186 BUILDING LAYOUT

FIGURE E-1

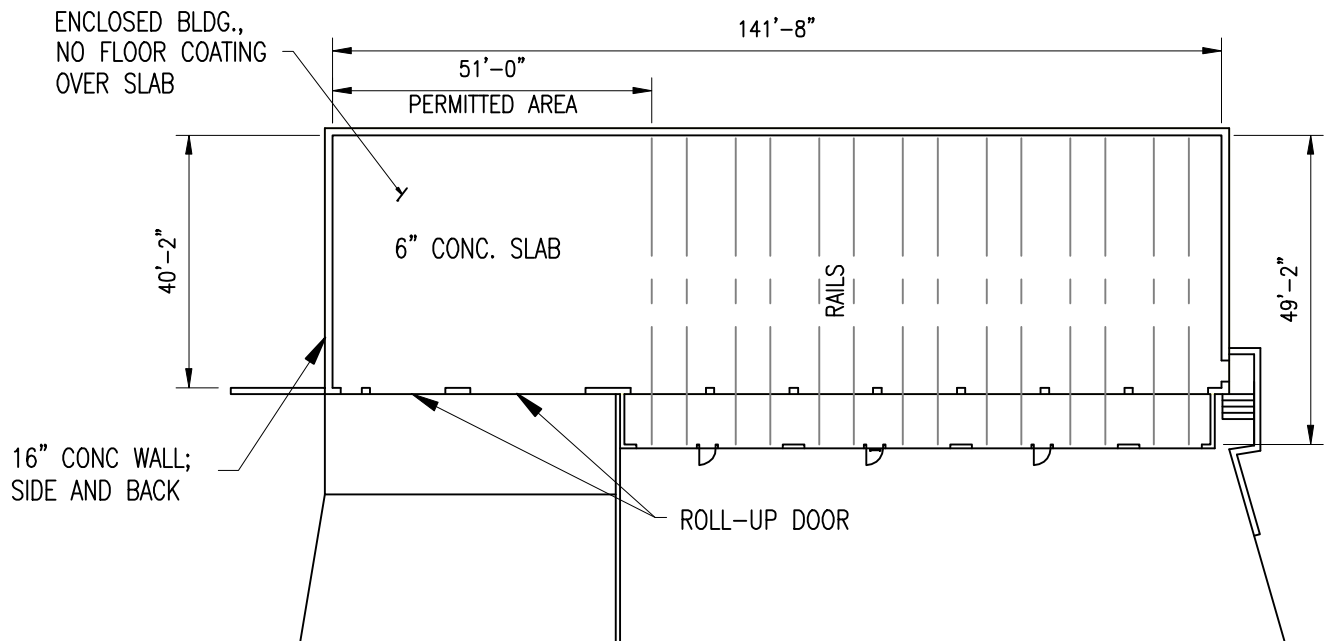




**M-136 BURN GROUND
FACILITY LAYOUT
FIGURE F-1**



SCALE: 1" = 600' - 0"±



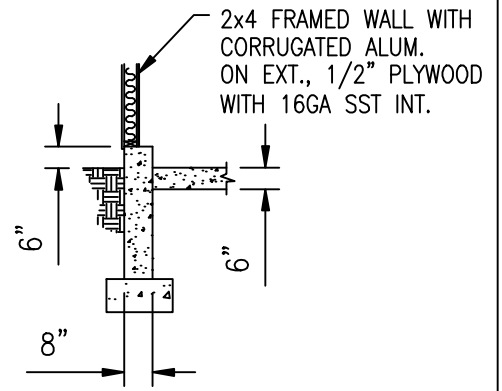
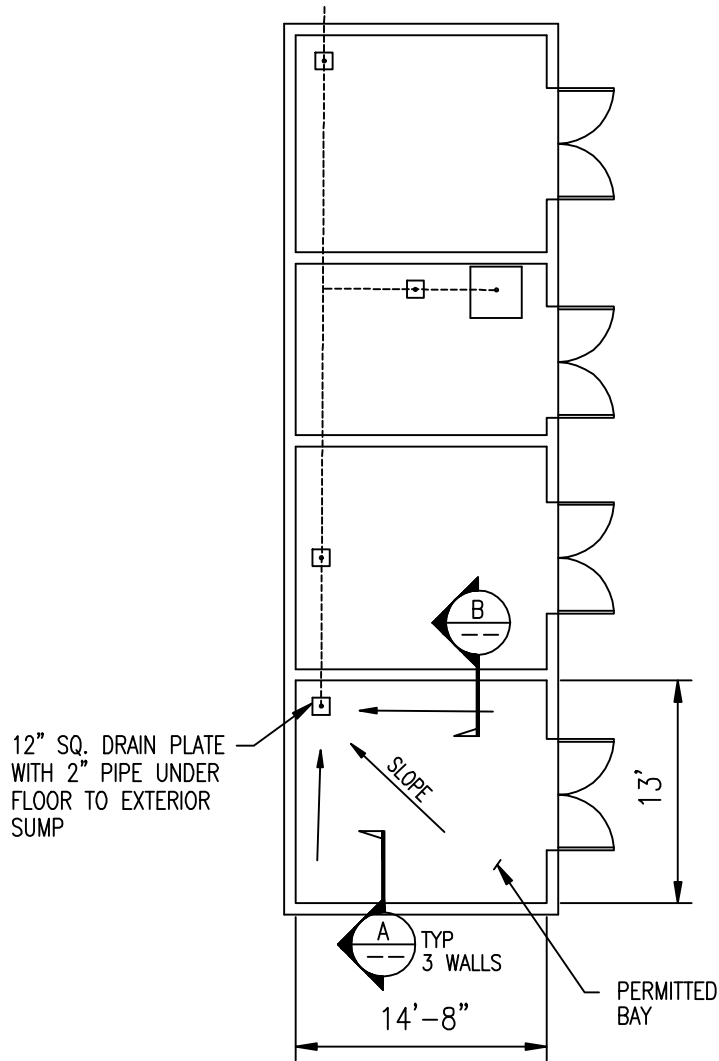
M-47 PLAN VIEW

SCALE: 1" = 30'-0"±

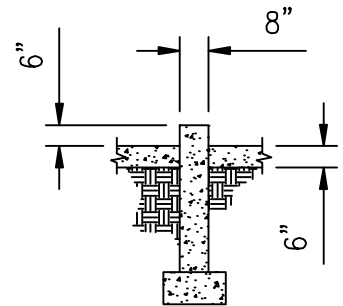
M-47 BUILDING LAYOUT

FIGURE G-1





SECTION A
SCALE: 1/4" = 1'-0"

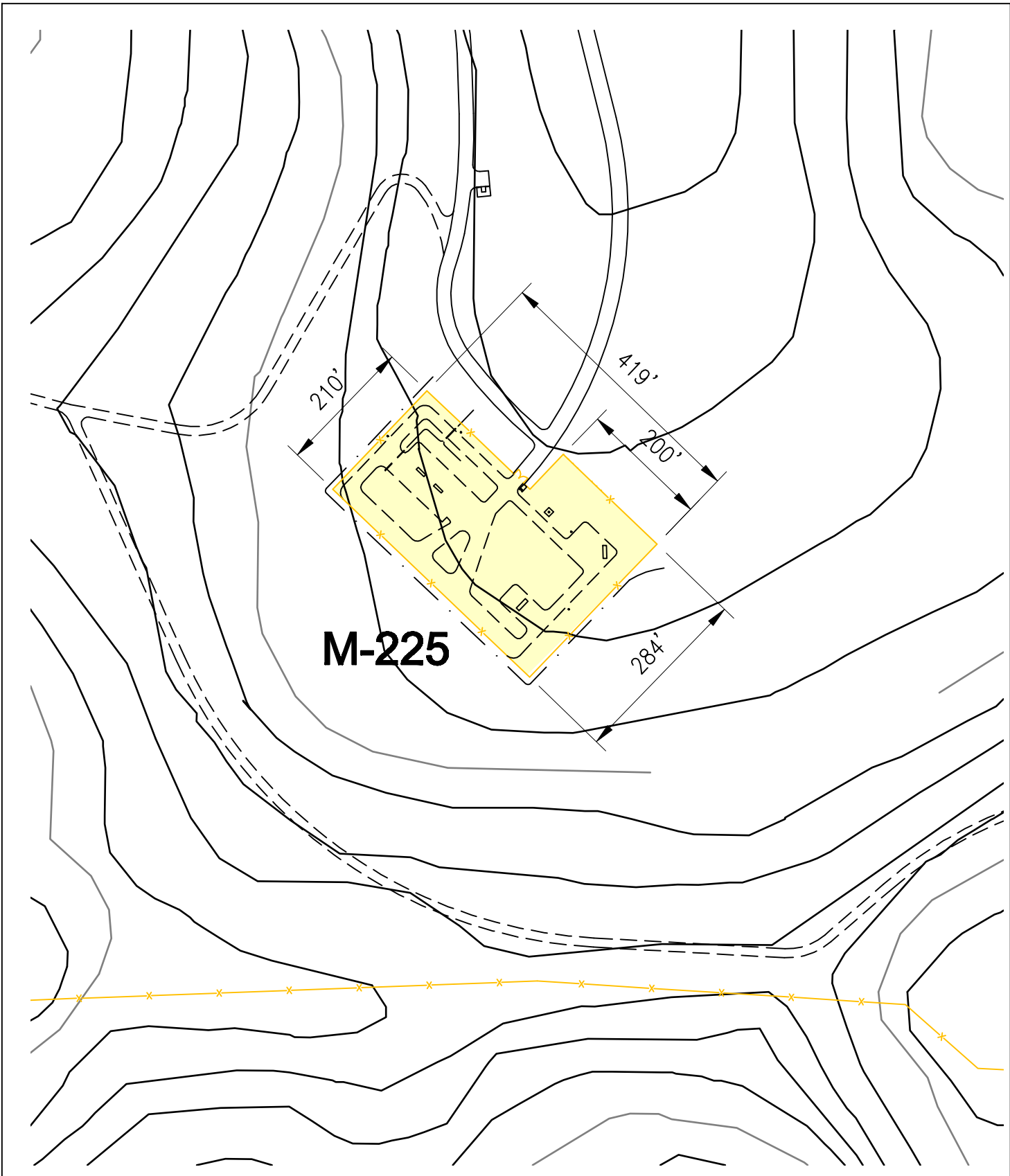


SECTION B
SCALE: 1/4" = 1'-0"

T-29B BUILDING LAYOUT

FIGURE H-1





M-225

**M-225 BURN GROUND
FACILITY LAYOUT
FIGURE I-1**



SCALE: 1" = 200' - 0"±